

March 1, 1960

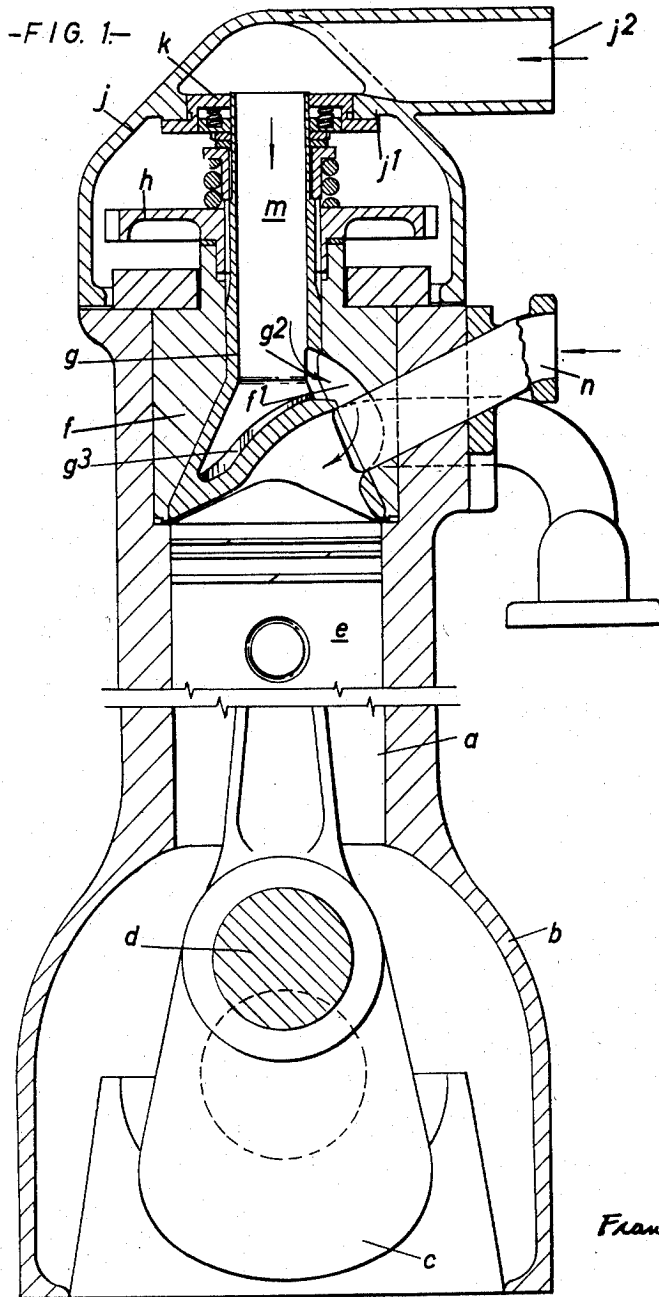
F. M. ASPIN

2,926,640

INTERNAL COMBUSTION ENGINES

Filed Sept. 17, 1957

5 Sheets-Sheet 1



Frank M Aspin
INVENTOR

BY
H. Biemann
ATTORNEY

March 1, 1960

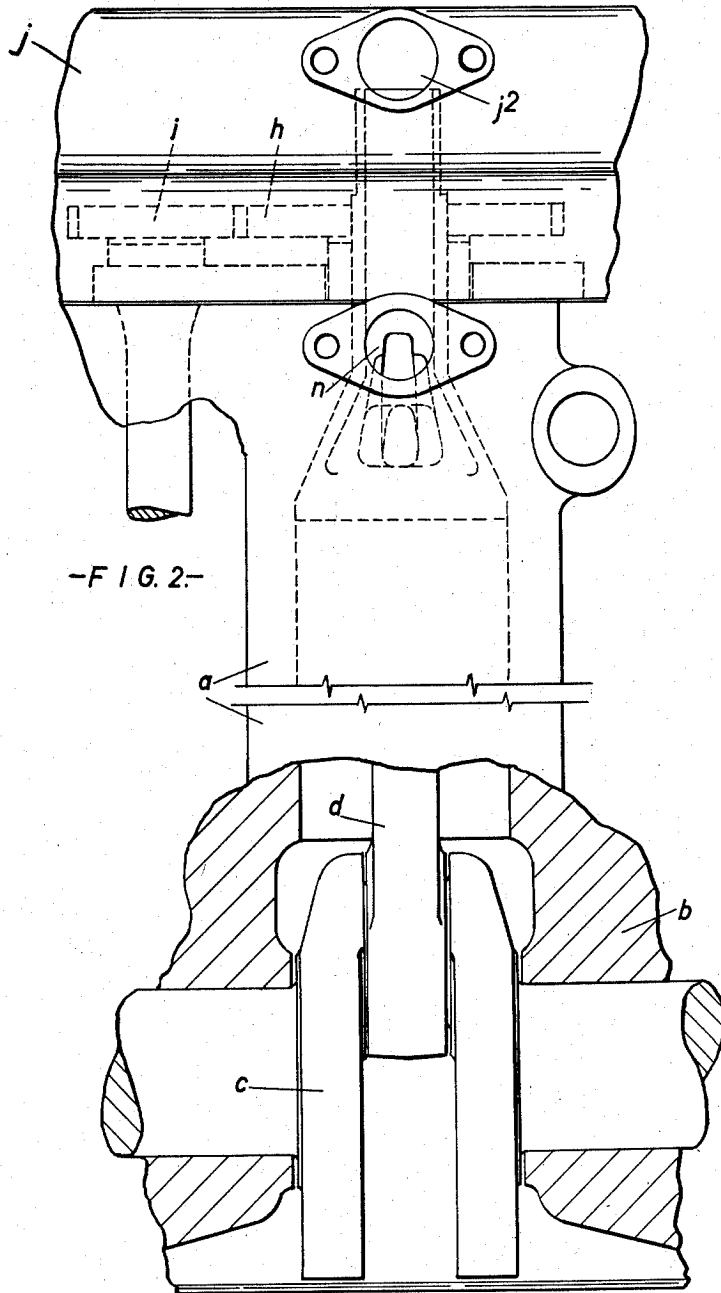
F. M. ASPIN

2,926,640

INTERNAL COMBUSTION ENGINES

Filed Sept. 17, 1957

5 Sheets-Sheet 2



Frank M. Aspin
INVENTOR

BY
H. B. Bieman
ATTORNEY

March 1, 1960

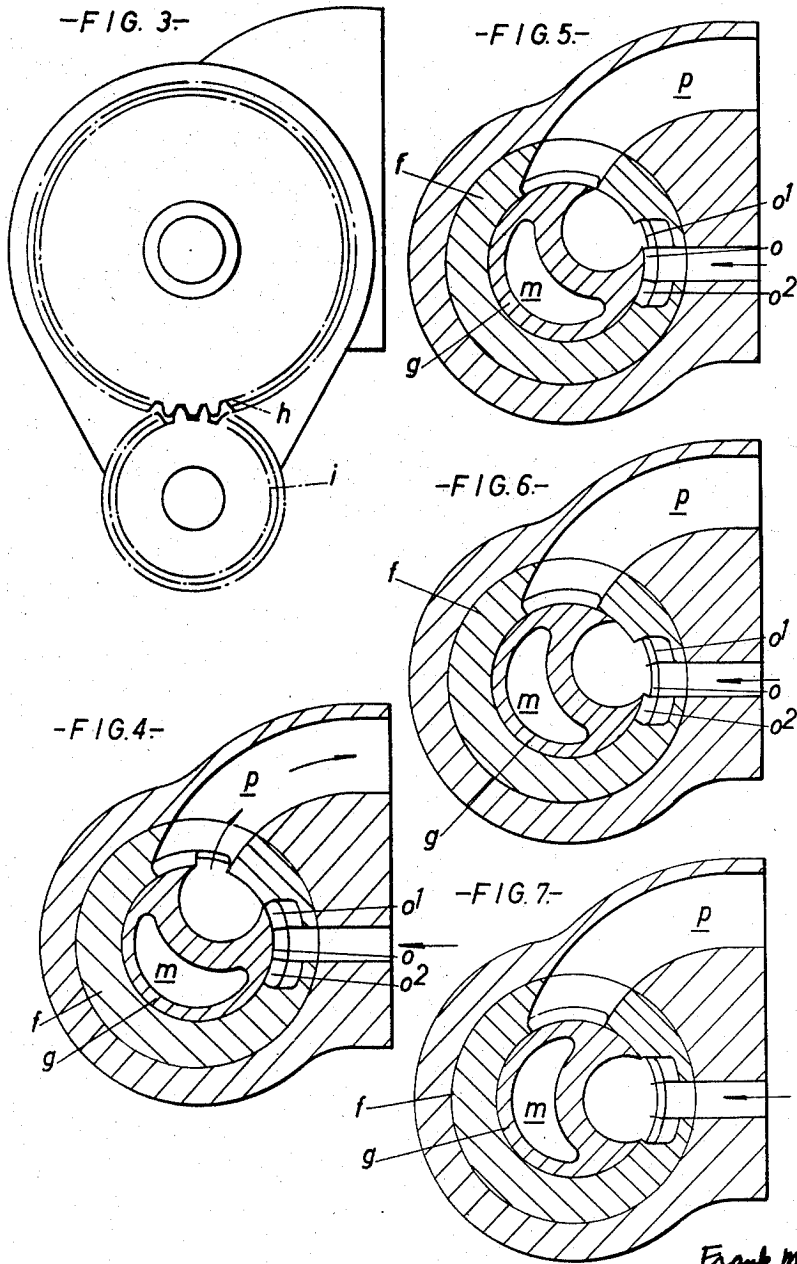
F. M. ASPIN

2,926,640

INTERNAL COMBUSTION ENGINES

Filed Sept. 17, 1957

5 Sheets-Sheet 3



Frank M Aspin
INVENTOR

BY
St. Bieman
ATTORNEY

March 1, 1960

F. M. ASPIN

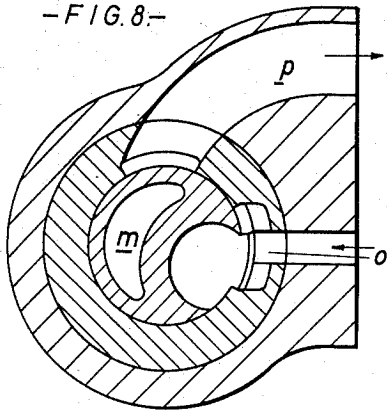
2,926,640

INTERNAL COMBUSTION ENGINES

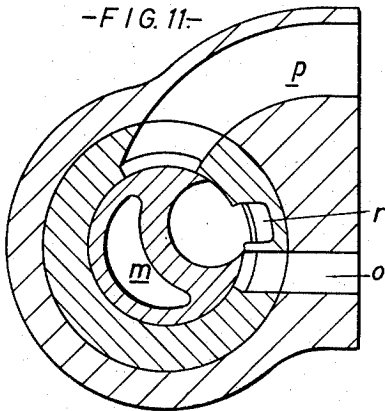
Filed Sept. 17, 1957

5 Sheets—Sheet 4

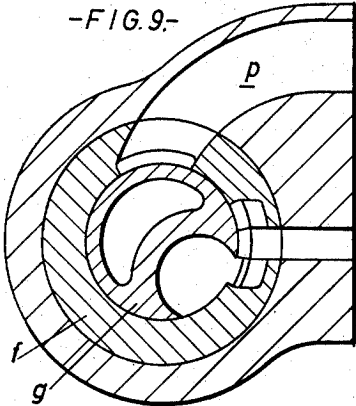
-FIG. 8-



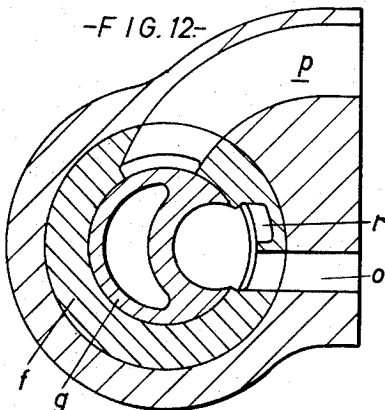
-FIG. 11-



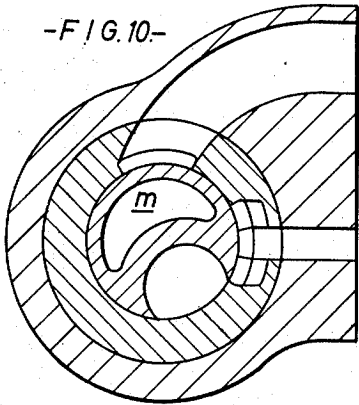
-FIG. 9-



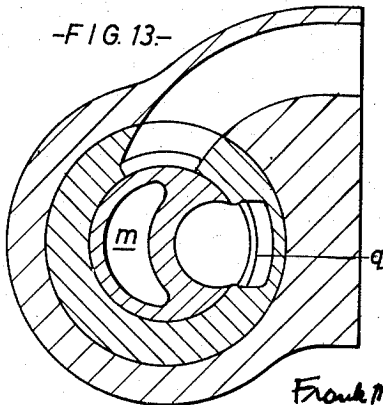
-FIG. 12-



-FIG. 10-



-FIG. 13-



Frank M. Aspin
INVENTOR

BY
H. C. Bieman
ATTORNEY

March 1, 1960

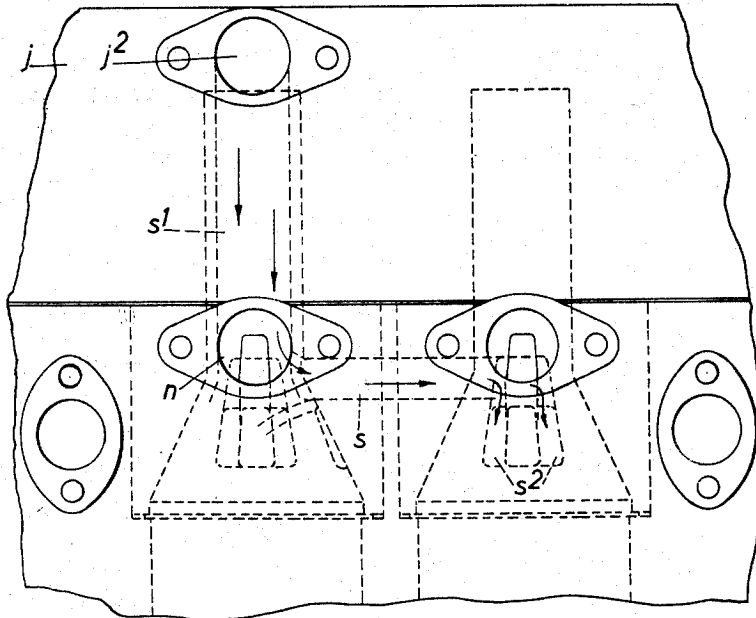
F. M. ASPIN

2,926,640

INTERNAL COMBUSTION ENGINES

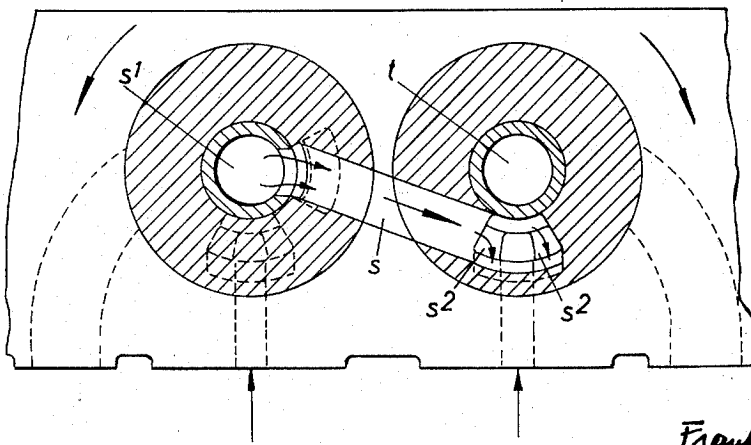
Filed Sept. 17, 1957

5 Sheets-Sheet 5



-FIG. 14.-

-FIG. 15.-



Frank Maspin

INVENTOR

BY
H. Berman

ATTORNEY