

March 1, 1960

F. M. ASPIN

2,926,639

ROTARY VALVES FOR INTERNAL COMBUSTION ENGINES

Filed June 3, 1957

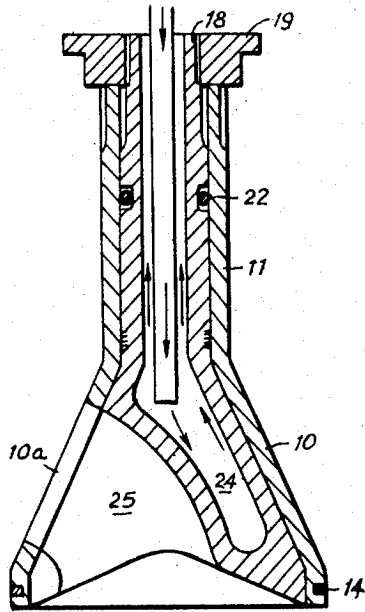


FIG. 1

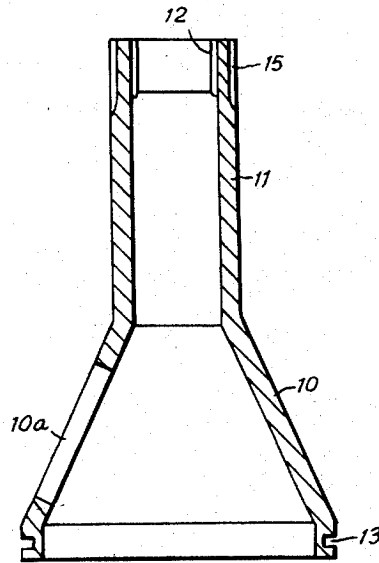
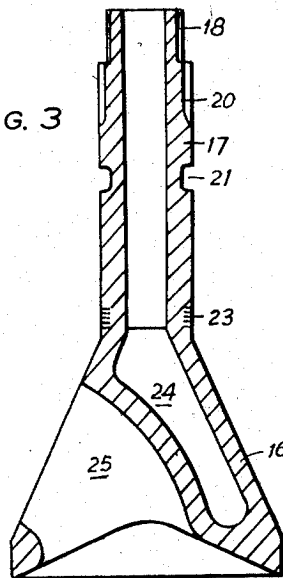


FIG. 2

FIG. 3



INVENTOR.
FRANK METCALF ASPIN

by *St. Bieman*
att'y