

Oct. 17, 1950

F. M. ASPIN
LUBRICATION SYSTEM

2,526,450

Filed May 19, 1944

2 Sheets-Sheet 1

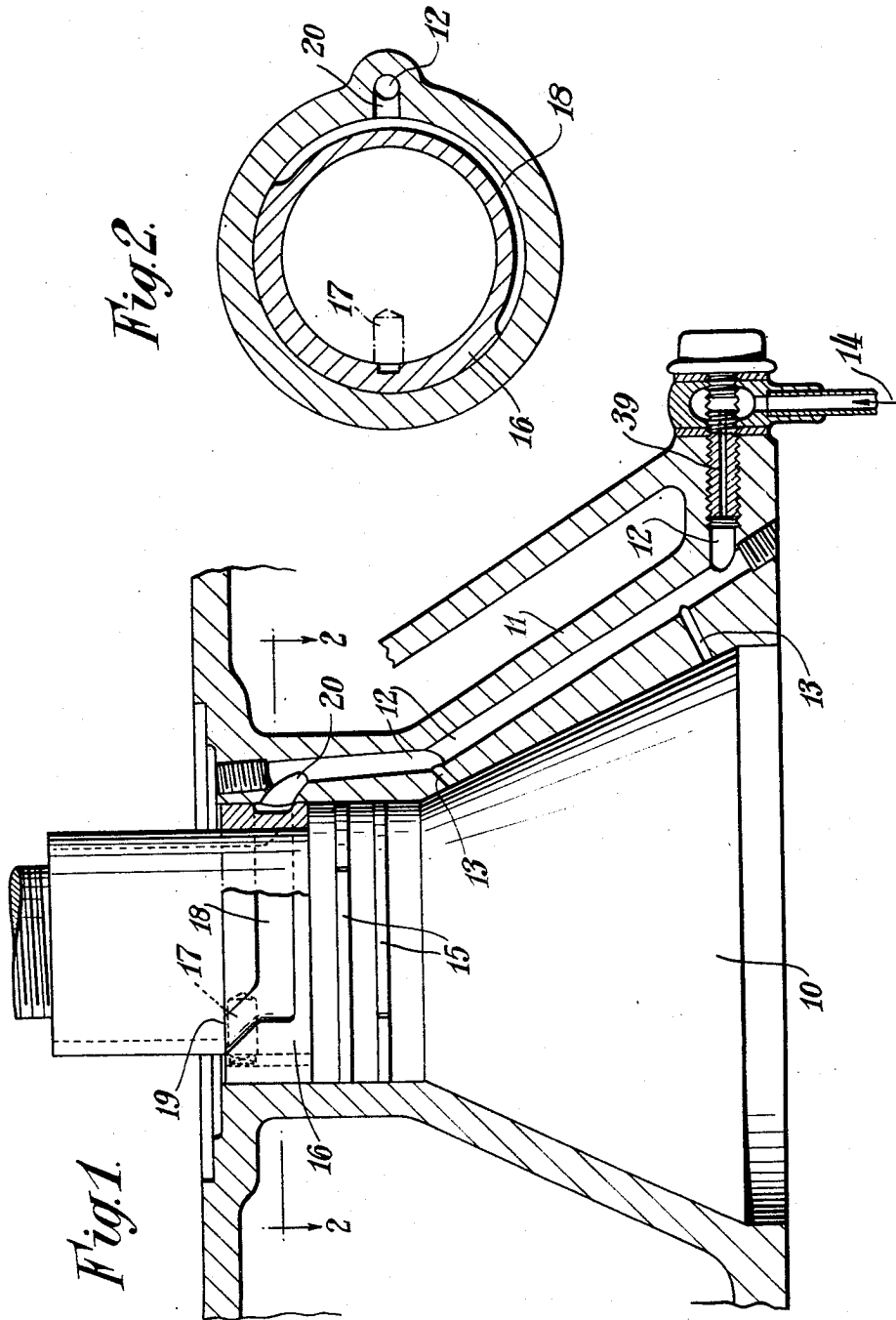


Fig. 1.

Fig. 2.

INVENTOR:

Frank M. Aspin.

By Attorney: Walter G. ...

Oct. 17, 1950

F. M. ASPIN
LUBRICATION SYSTEM

2,526,450

Filed May 19, 1944

2 Sheets-Sheet 2

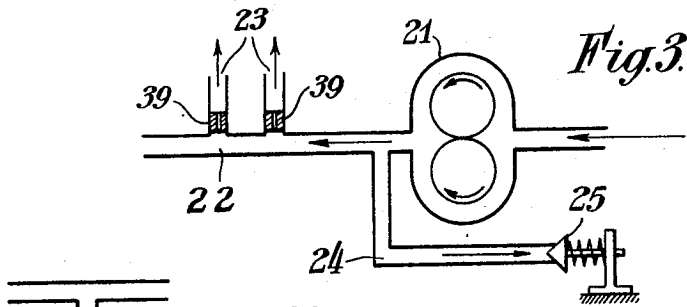


Fig. 3.

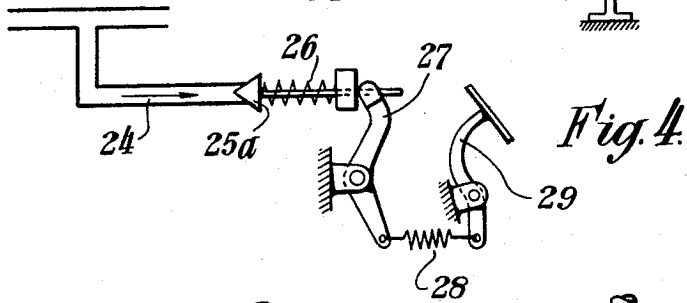


Fig. 4.

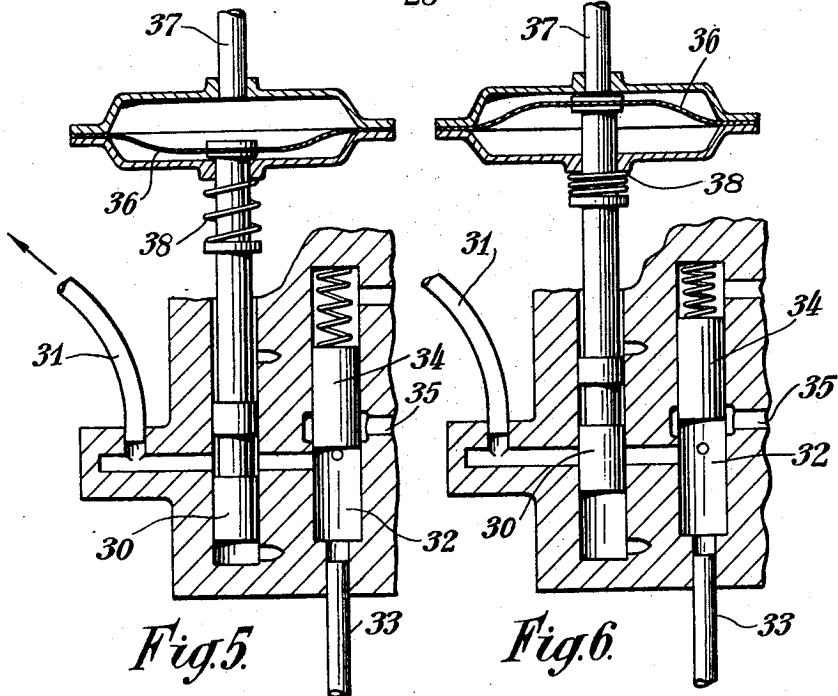


Fig. 5.

Fig. 6.

INVENTOR:

Frank M. Aspin.

By Attorney: Walter Guma.