

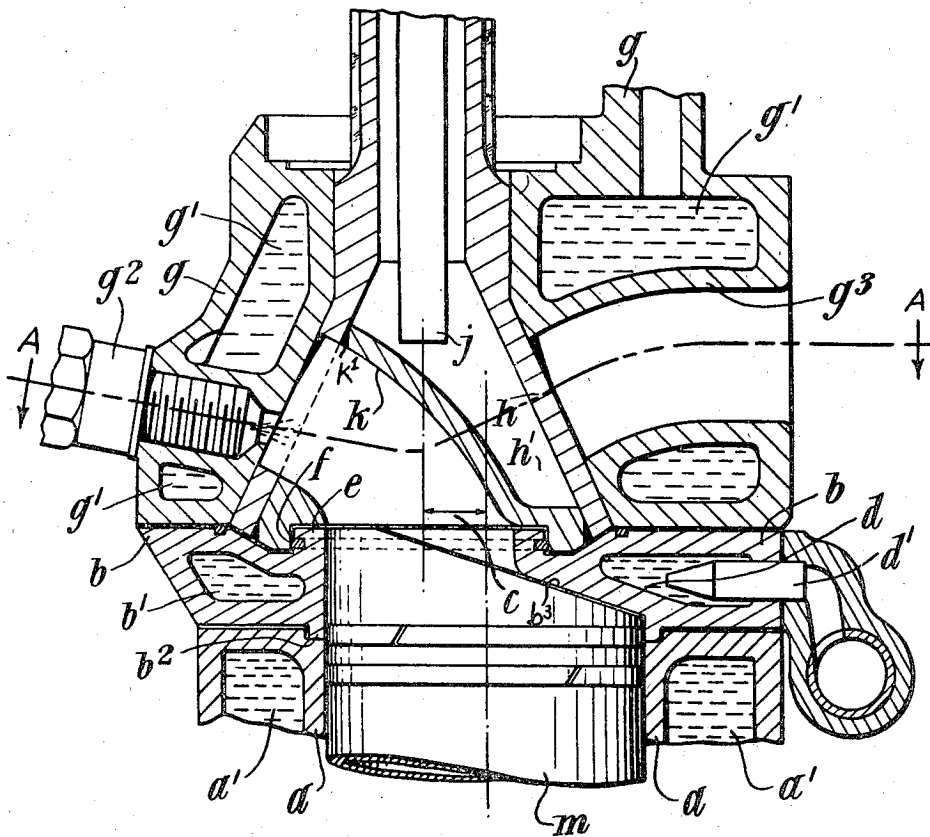
Oct. 21, 1947.

F. M. ASPIN
ROTARY VALVE ASSEMBLY FOR INTERNAL-COMBUSTION
ENGINES, COMPRESSORS, AND THE LIKE
Filed March 23, 1944

2,429,304

2 Sheets-Sheet 1

FIG. 1.



INVENTOR:

Frank Mecalp Aspin

By Attorney: Walter Gurnea

Oct. 21, 1947.

F. M. ASPIN
ROTARY VALVE ASSEMBLY FOR INTERNAL-COMBUSTION
ENGINES, COMPRESSORS, AND THE LIKE
Filed March 23, 1944

2,429,304

2 Sheets-Sheet 2

Fig. 2

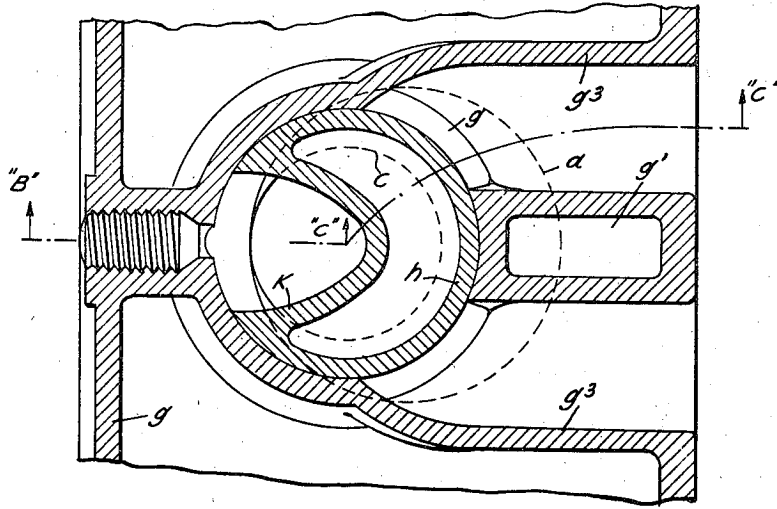
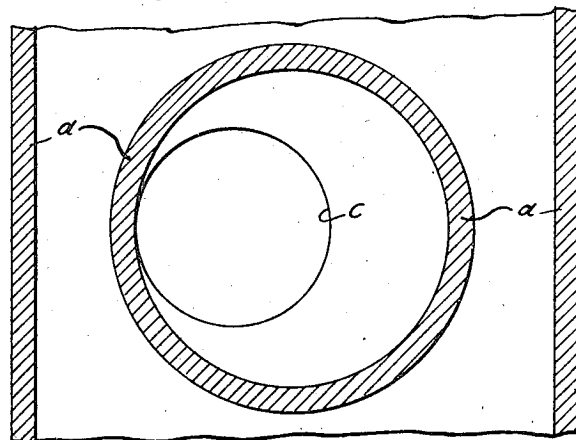


Fig. 3



INVENTOR.
FRANK METCALF ASPIN

BY
Sturman
ATTORNEY