

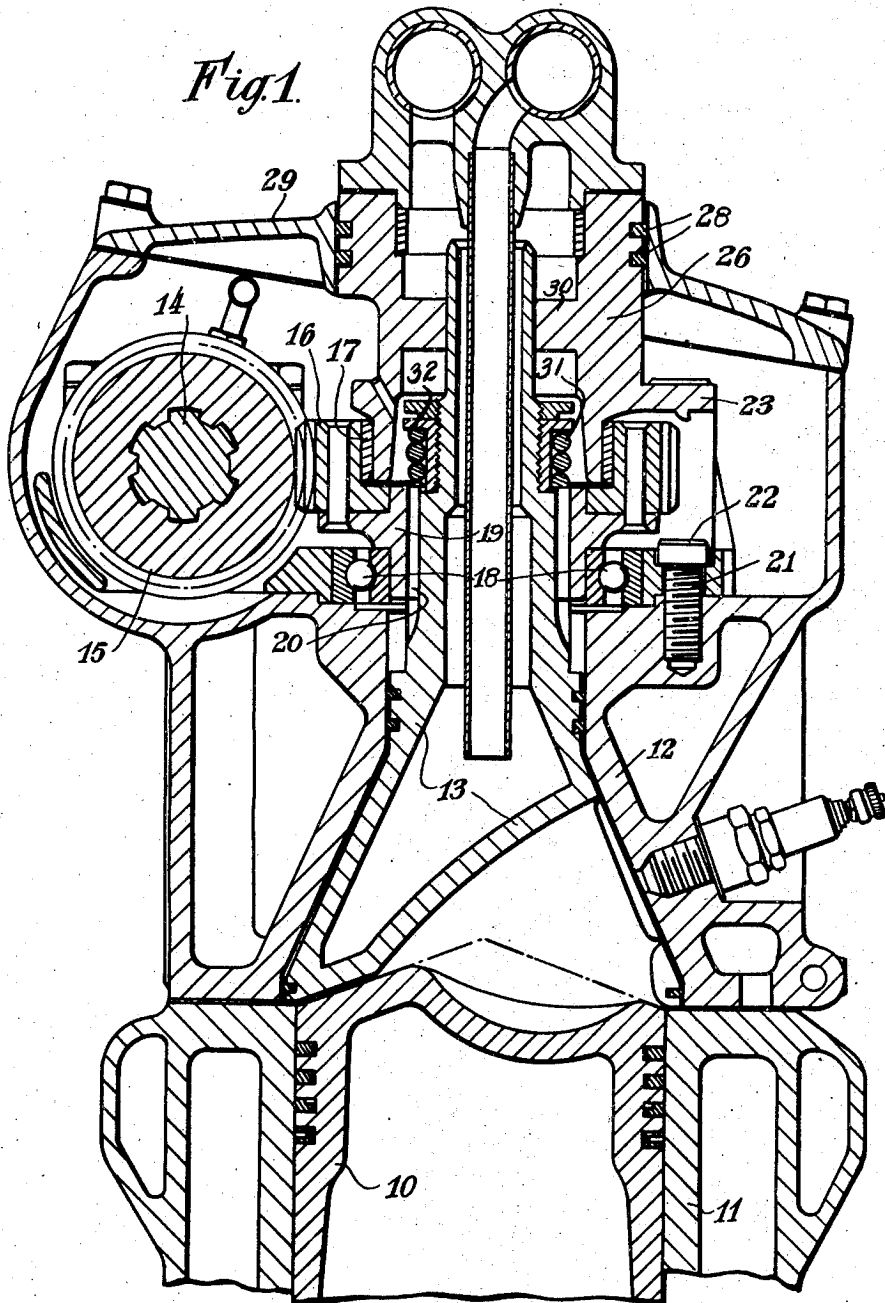
Sept. 3, 1946.

F. M. ASPIN
DRIVING MEANS FOR ROTARY VALVES OF INTERNAL-COMBUSTION
ENGINES, COMPRESSORS AND THE LIKE

2,407,127

Filed May 19, 1944

2 Sheets-Sheet 1.



INVENTOR:

Frank M. Aspin

By Attorney: *Walter L. Swann*

Sept. 3, 1946.

F. M. ASPIN

2,407,127

DRIVING MEANS FOR ROTARY VALVES OF INTERNAL-COMBUSTION
ENGINES, COMPRESSORS AND THE LIKE

Filed May 19, 1944

2 Sheets-Sheet 2

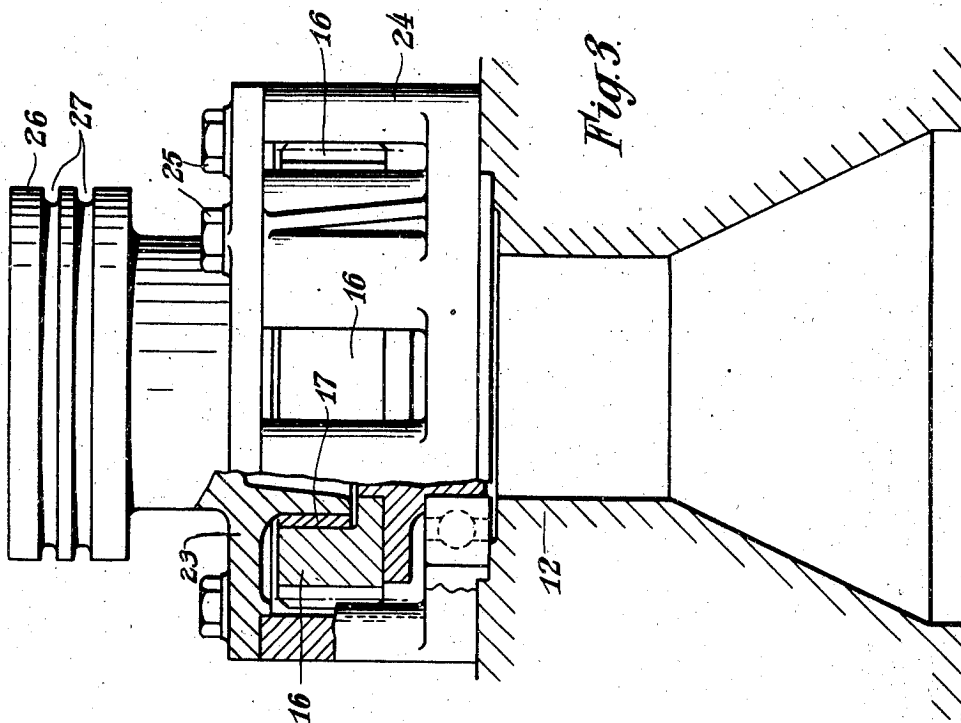
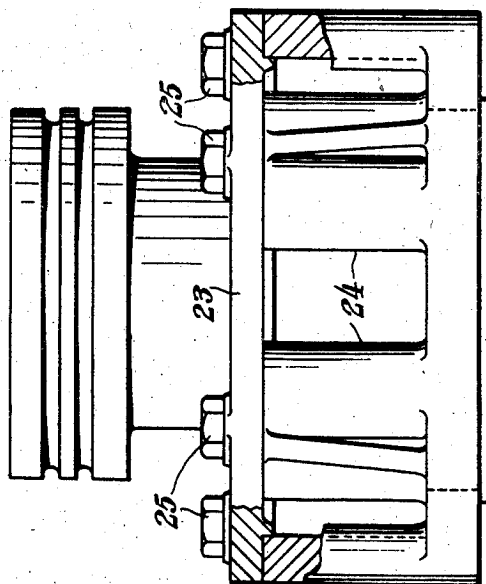


Fig. 3.

Fig. 2.



INVENTOR:

Frank M. Aspin

By Attorney: Walter Glunz