

Aug. 7, 1945.

F. M. ASPIN  
ROTARY VALVE FOR INTERNAL-COMBUSTION  
ENGINES, COMPRESSORS AND THE LIKE  
Filed July 1, 1944

2,381,711

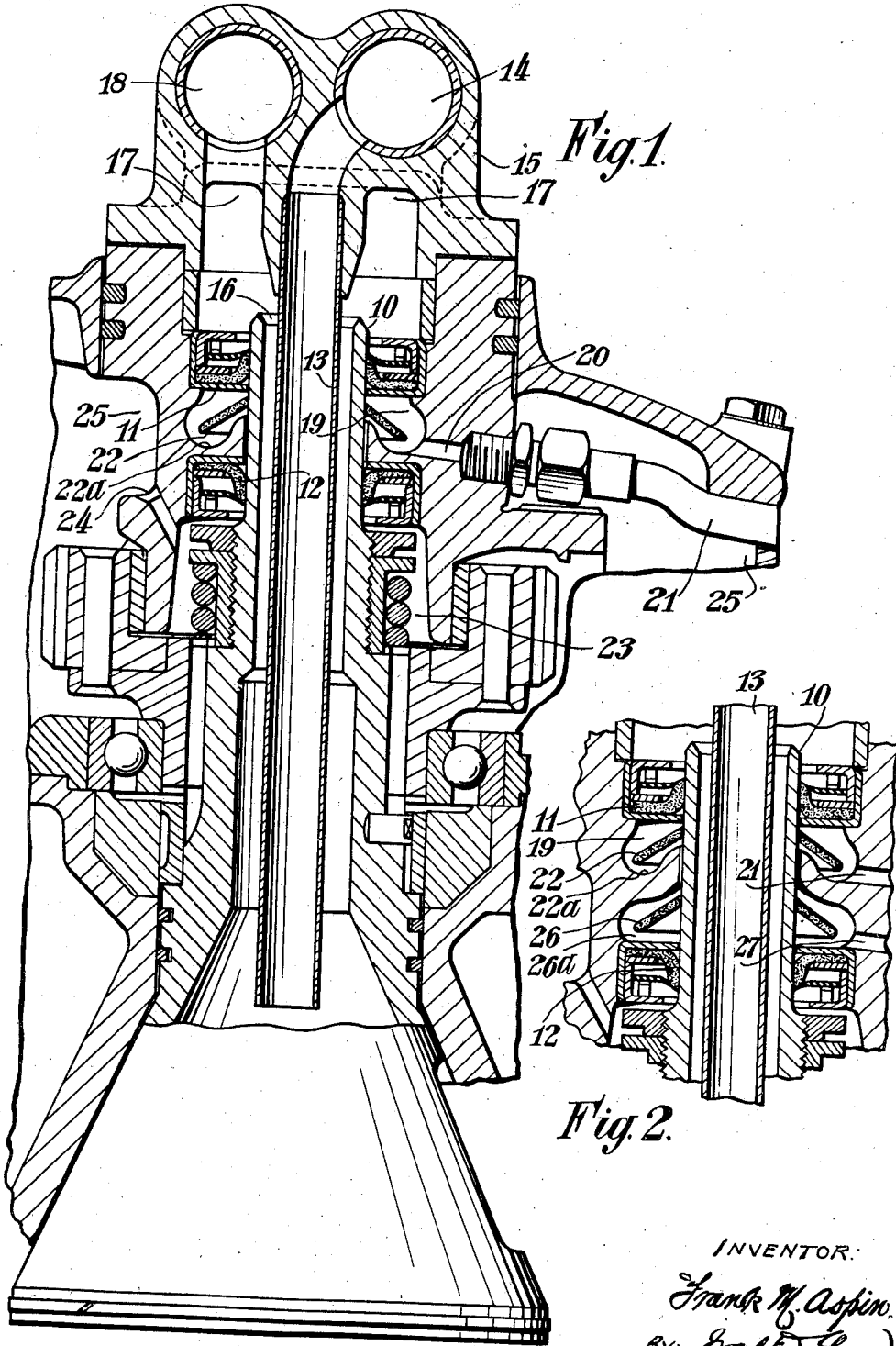


Fig. 2.

INVENTOR:  
*Frank M. Aspin.*  
BY: *Paul J. Lunn.*  
Attorney.