

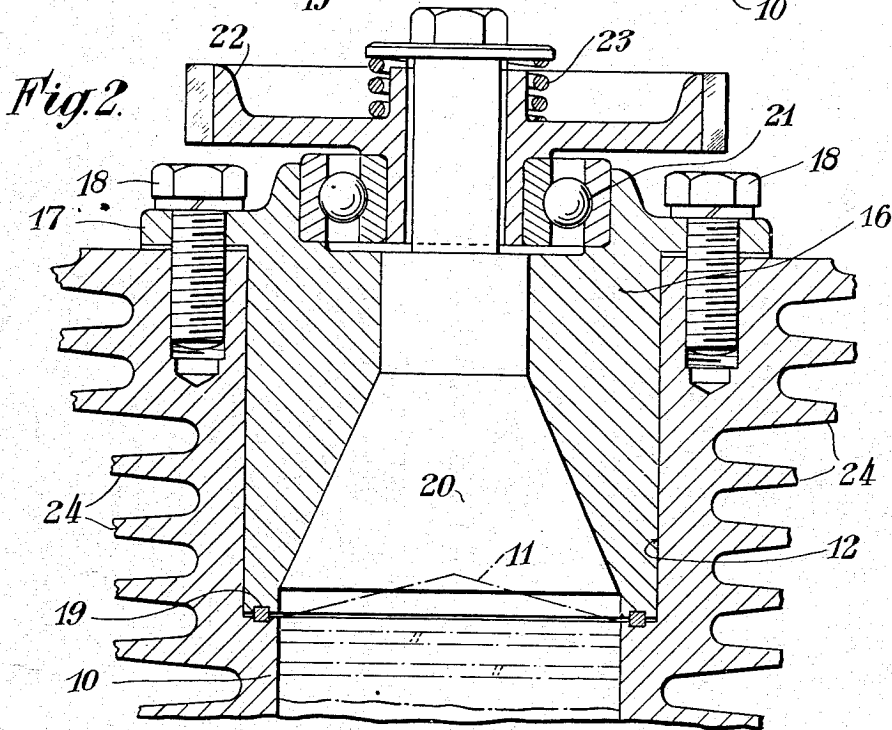
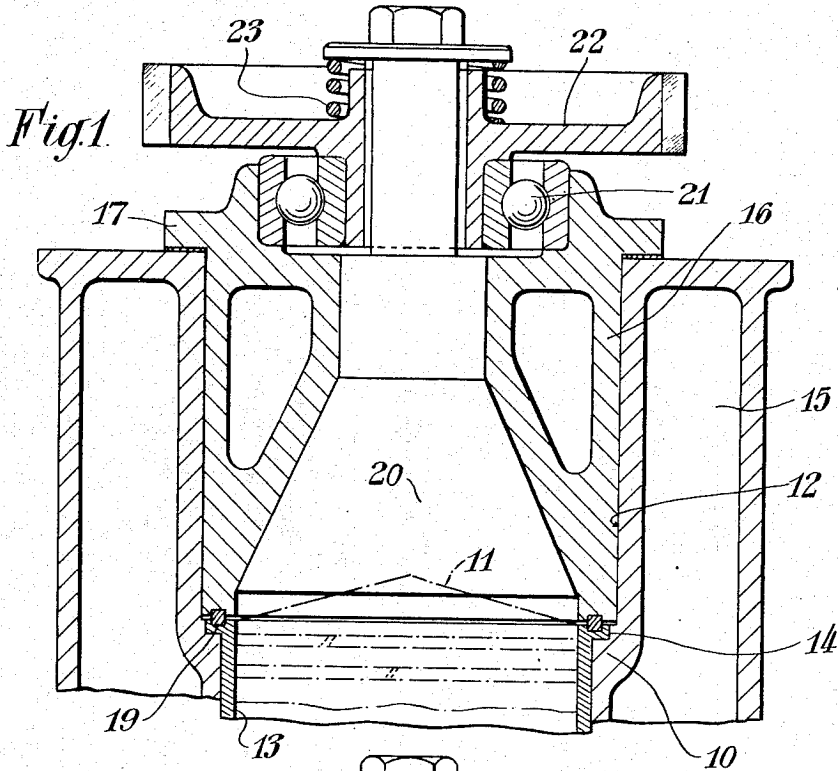
Oct. 30, 1945.

F. M. ASPIN

2,387,972

CYLINDER HEAD OF INTERNAL-COMBUSTION ENGINES

Filed May 19, 1943



INVENTOR:-

*Frank M. Aspin.*

By Attorney: *Walter G. Curran.*