

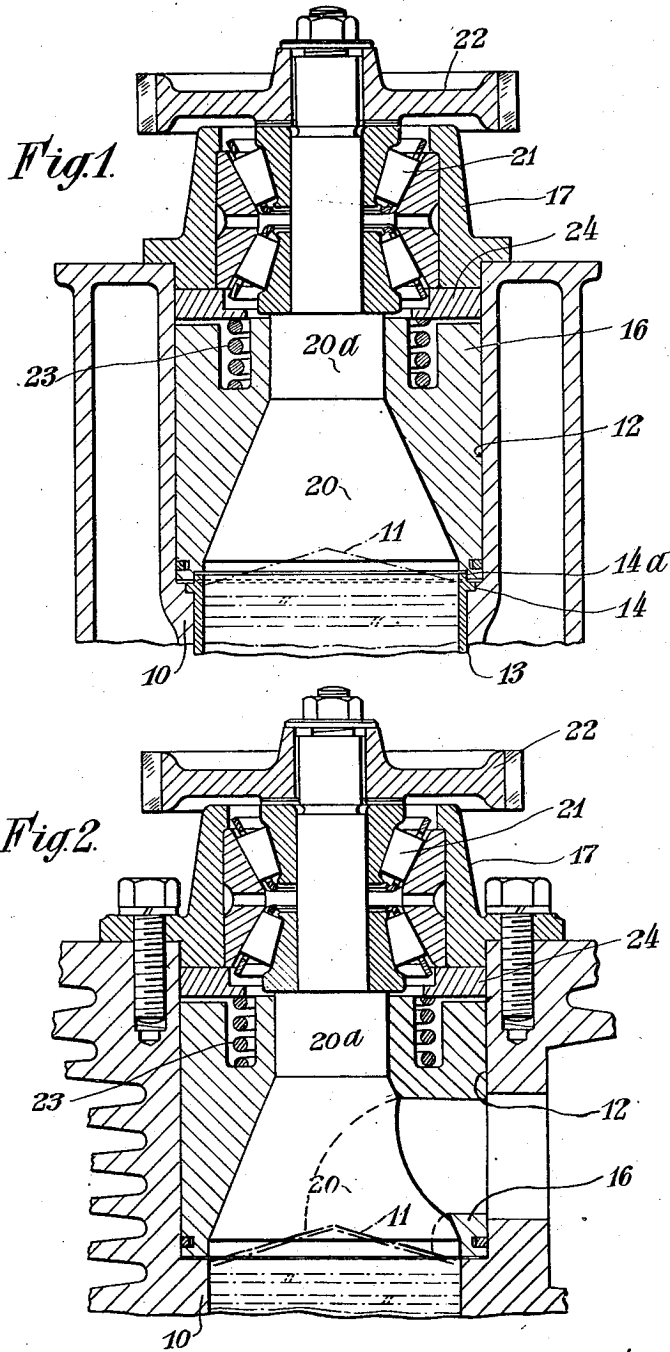
June 12, 1945.

F. M. ASPIN

2,378,120

ROTARY VALVES FOR INTERNAL-COMBUSTION ENGINES

Filed May 19, 1943



INVENTOR:

Frank M. Aspin,

By Attorney: Walter Gurnea.