

Sept. 15, 1942.

F. M. ASPIN

2,296,081

LUBRICATION OF ROTARY VALVES

Filed Dec. 28, 1940

2 Sheets-Sheet 1

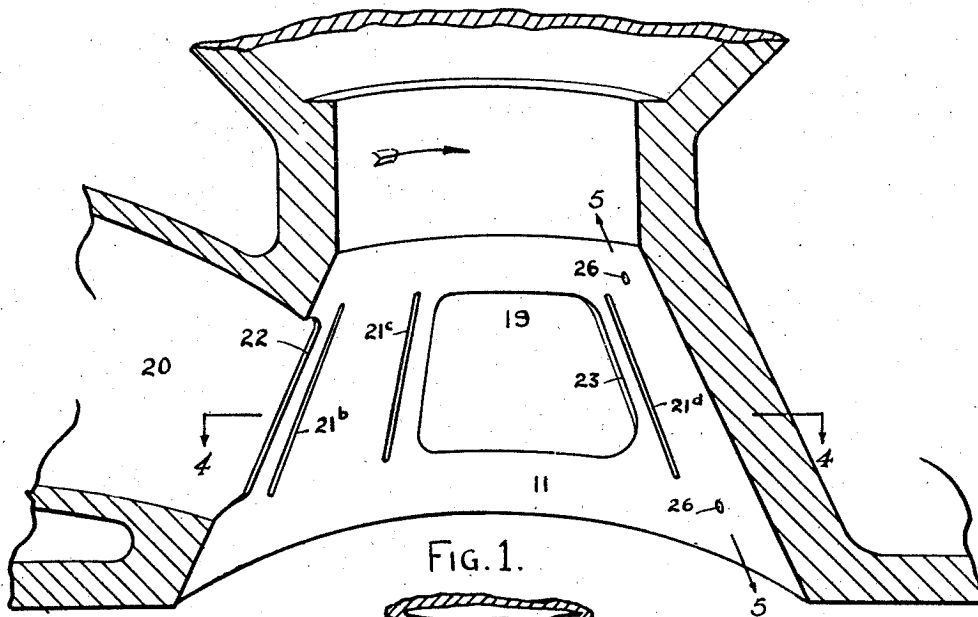


FIG. 1.

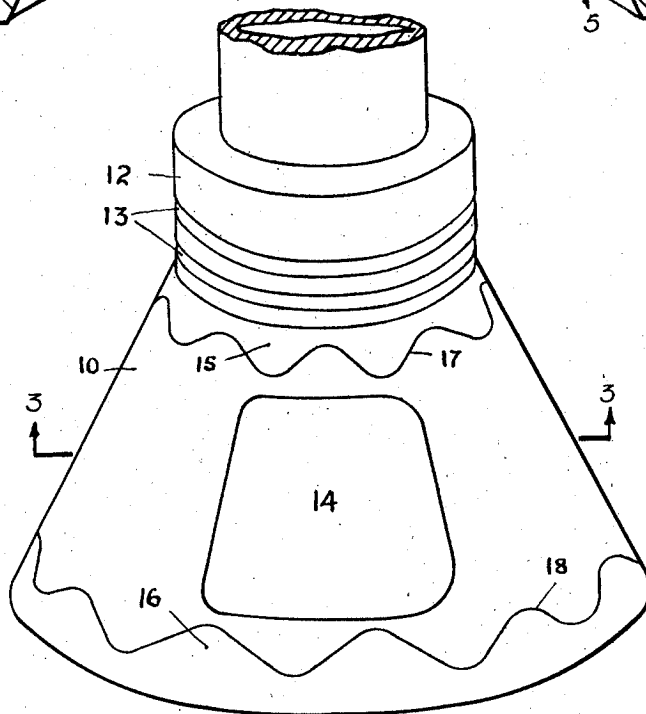


FIG. 2.

Inventor:

*Frank M. Aspin*

By his Attorney:-

*Walter Gurno*

Sept. 15, 1942.

F. M. ASPIN

2,296,081

LUBRICATION OF ROTARY VALVES

Filed Dec. 28, 1940

2 Sheets-Sheet 2

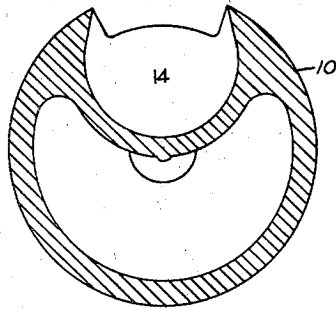


FIG. 3.

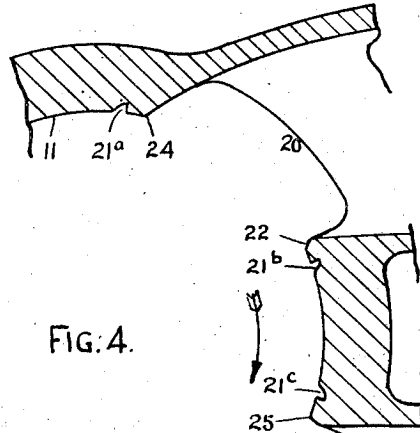


FIG. 4.

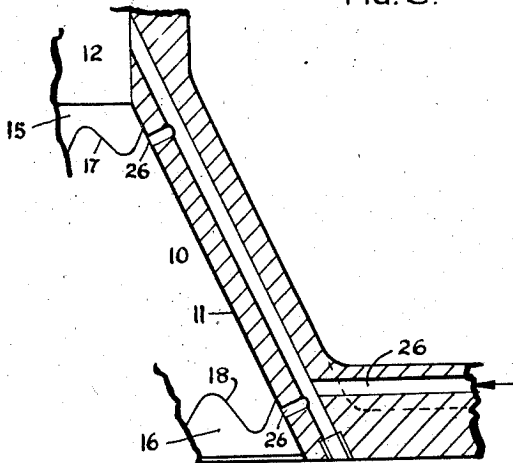


FIG. 5.

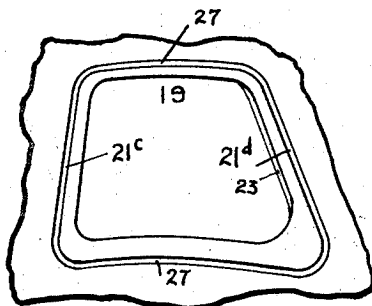
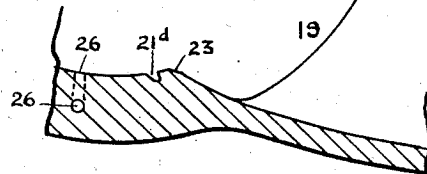


FIG. 6.

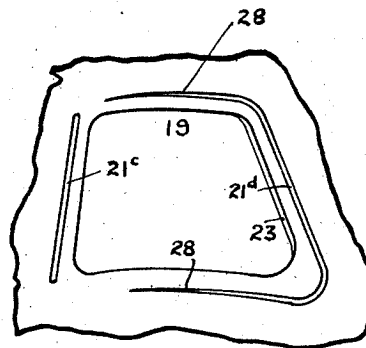


FIG. 7.

Inventor

*Frank M. Aspin*

By his Attorney:-

*Walter Green*