

June 17, 1941.

F. M. ASPIN

2,245,743

ROTARY VALVE

Filed Feb. 24, 1939

2 Sheets-Sheet 1

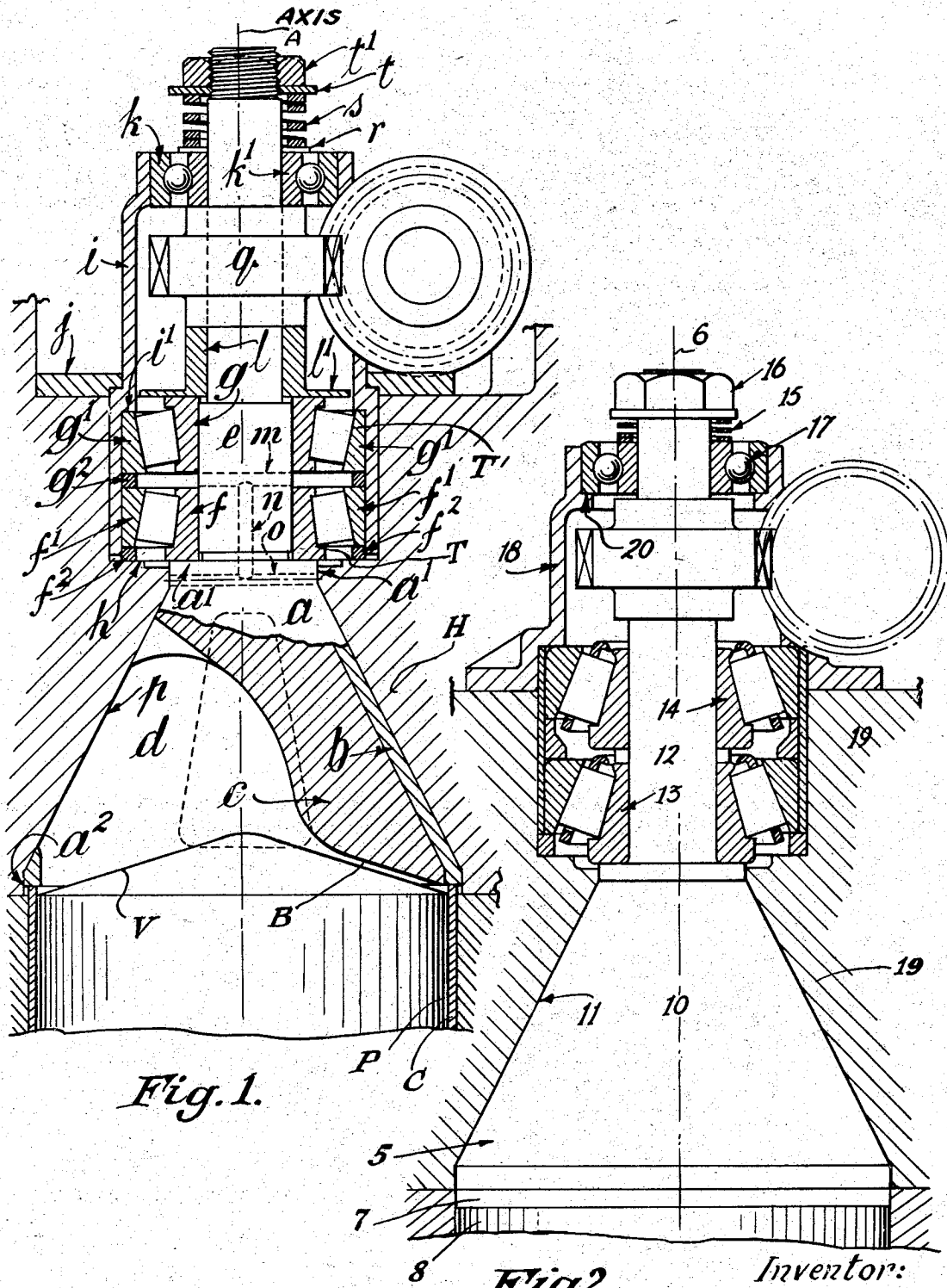


Fig. 1.

Fig. 2.

Inventor:

Frank M. Aspin

By his Attorney: Walter Luma

June 17, 1941.

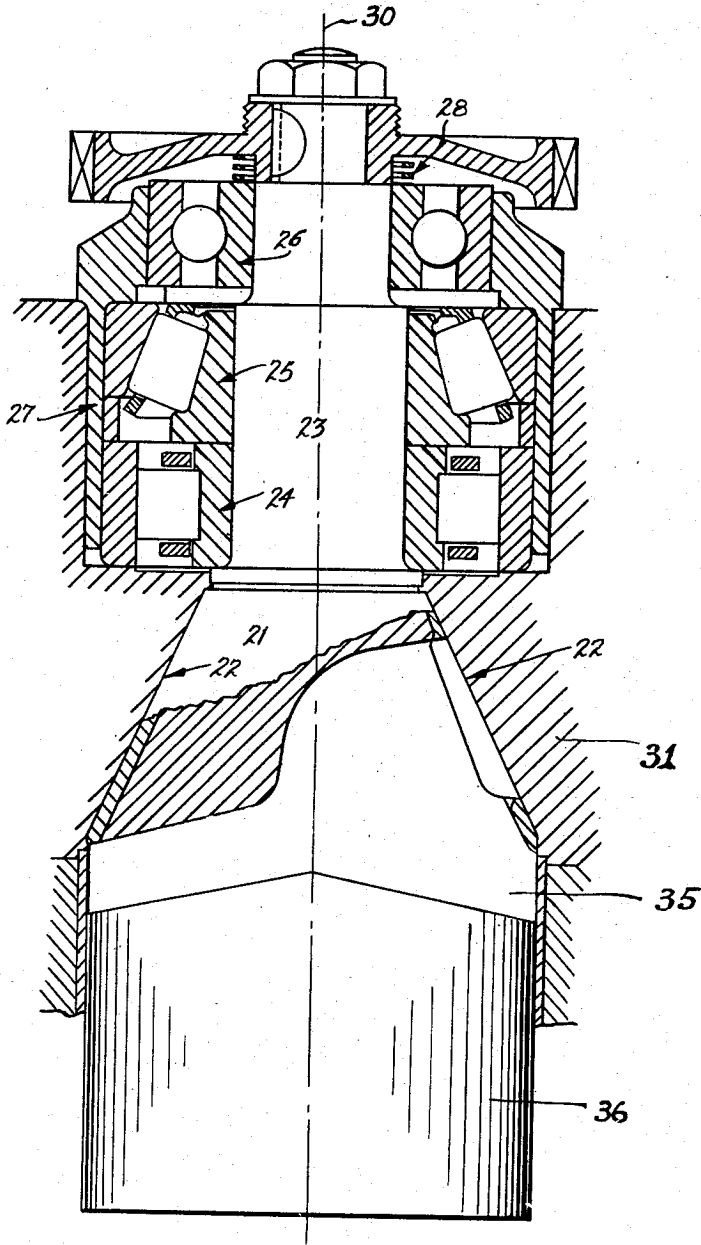
F. M. ASPIN

2,245,743

ROTARY VALVE

Filed Feb. 24, 1939

2 Sheets-Sheet 2



*Fig. 3.*

*Inventor:*

*Frank M. Aspin*

*Walter James*

*By his Attorney:*