

May 19, 1942.

F. M. ASPIN

2,283,594

INTERNAL COMBUSTION ENGINE

Filed July 6, 1936

4 Sheets-Sheet 1

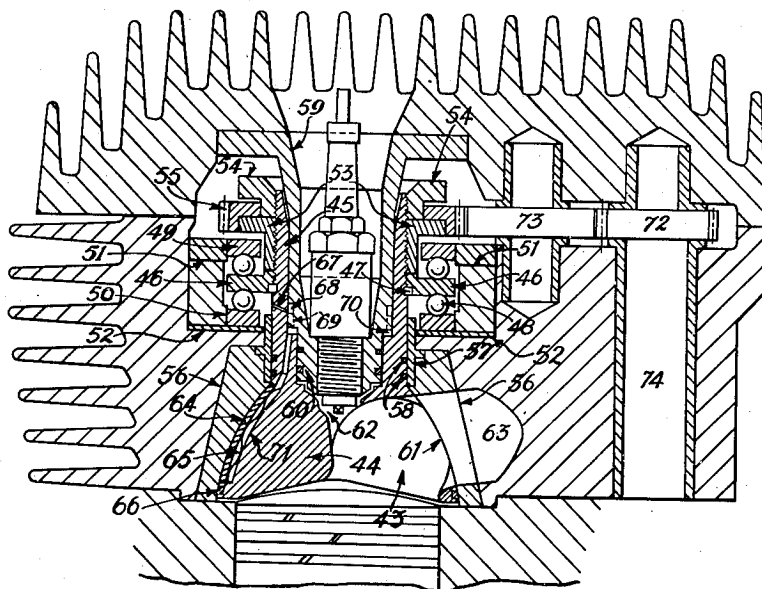


FIG. 1.

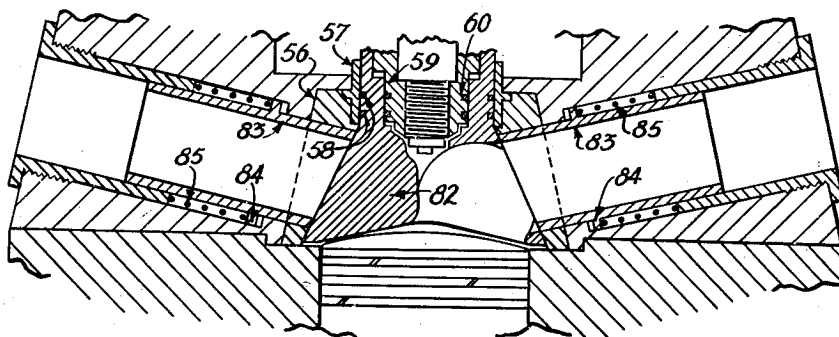


FIG. 5.

Inventor:
Frank Metcalf Aspin

By his Attorney: *Trallex Luma*

May 19, 1942.

F. M. ASPIN

2,283,594

INTERNAL COMBUSTION ENGINE

Filed July 6, 1936

4 Sheets-Sheet 2

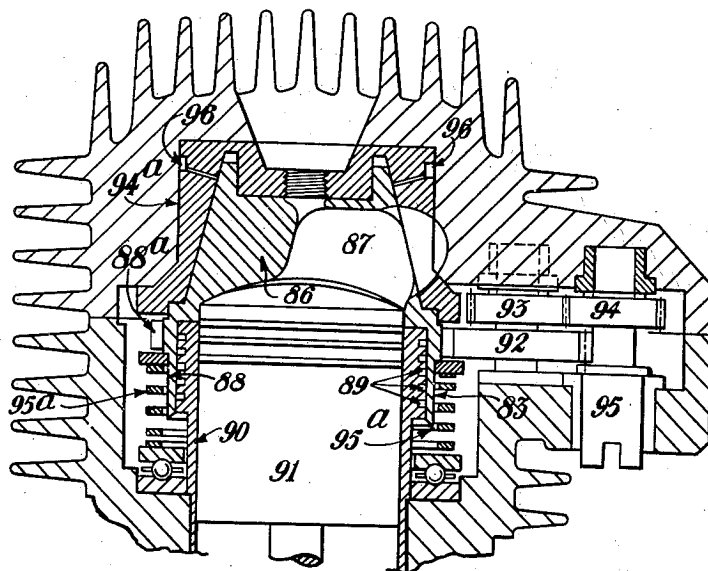


FIG. 4.

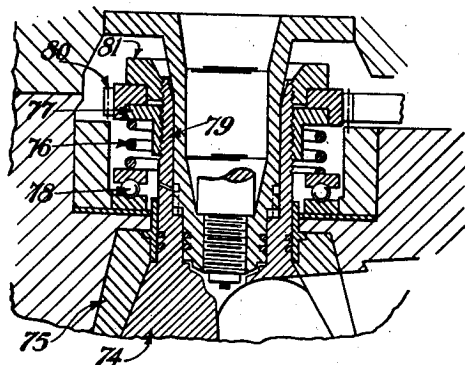


FIG. 2.

Inventor:

Frank Metcalf Aspin

By his Attorney

Fralter Lunn

May 19, 1942.

F. M. ASPIN

2,283,594

INTERNAL COMBUSTION ENGINE

Filed July 6, 1936

4 Sheets-Sheet 3

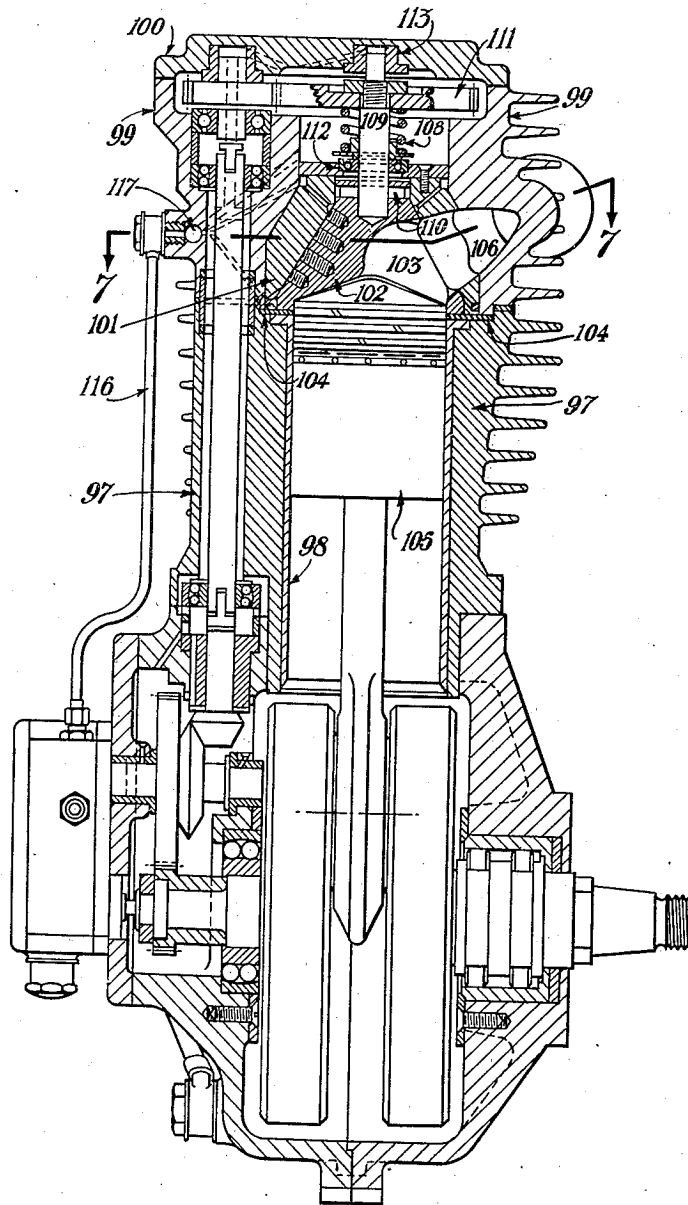


FIG. 5.

Inventor:
Frank Metcalf Aspin

By his Attorney: *Walter Guma*

May 19, 1942.

F. M. ASPIN

2,283,594

INTERNAL COMBUSTION ENGINE

Filed July 6, 1936

4 Sheets-Sheet 4

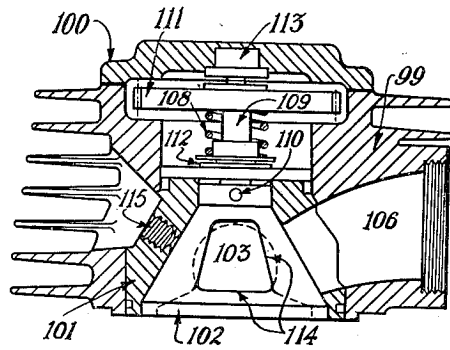


FIG. 6.

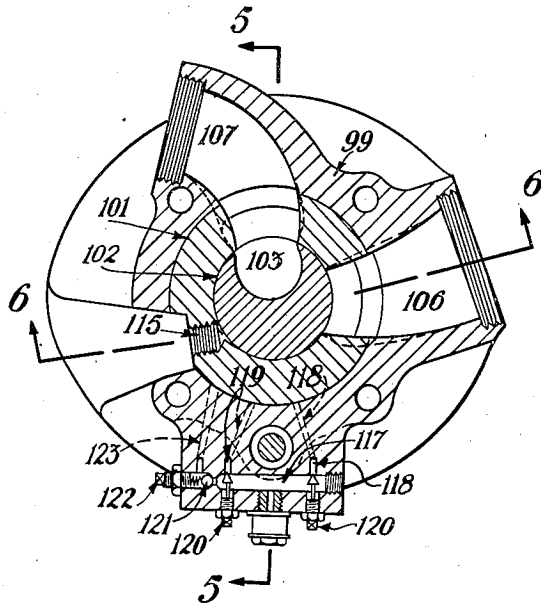


FIG. 7.

Inventor:
Frank Metcalf Aspin

By his Attorney:

Walter Gurnea